

THIS DRAWING & DESIGN IS PROPERTY OF
 ORBITAL SYSTEMS (BOM) PVT. LTD.
 AND MUST NOT BE COPIED OR LENT
 WITHOUT THEIR PERMISSION IN WRITING.

UNSPECIFIED TOLERANCES ON LINEAR DIMENSIONS AS PER DIN 7168 MEDIUM CLASS

UPTO 3	OVER 3 TO 6	OVER 6 TO 30	OVER 30 TO 120	OVER 120 TO 400	OVER 400 TO 1000	OVER 1000 TO 2000
±0.1	±0.1	±0.2	±0.3	±0.5	±0.8	±1.2

FRM\DGN\012

ALL DIMENSIONS ARE IN mm.
 IF IN DOUBT ASK. DO NOT SCALE.

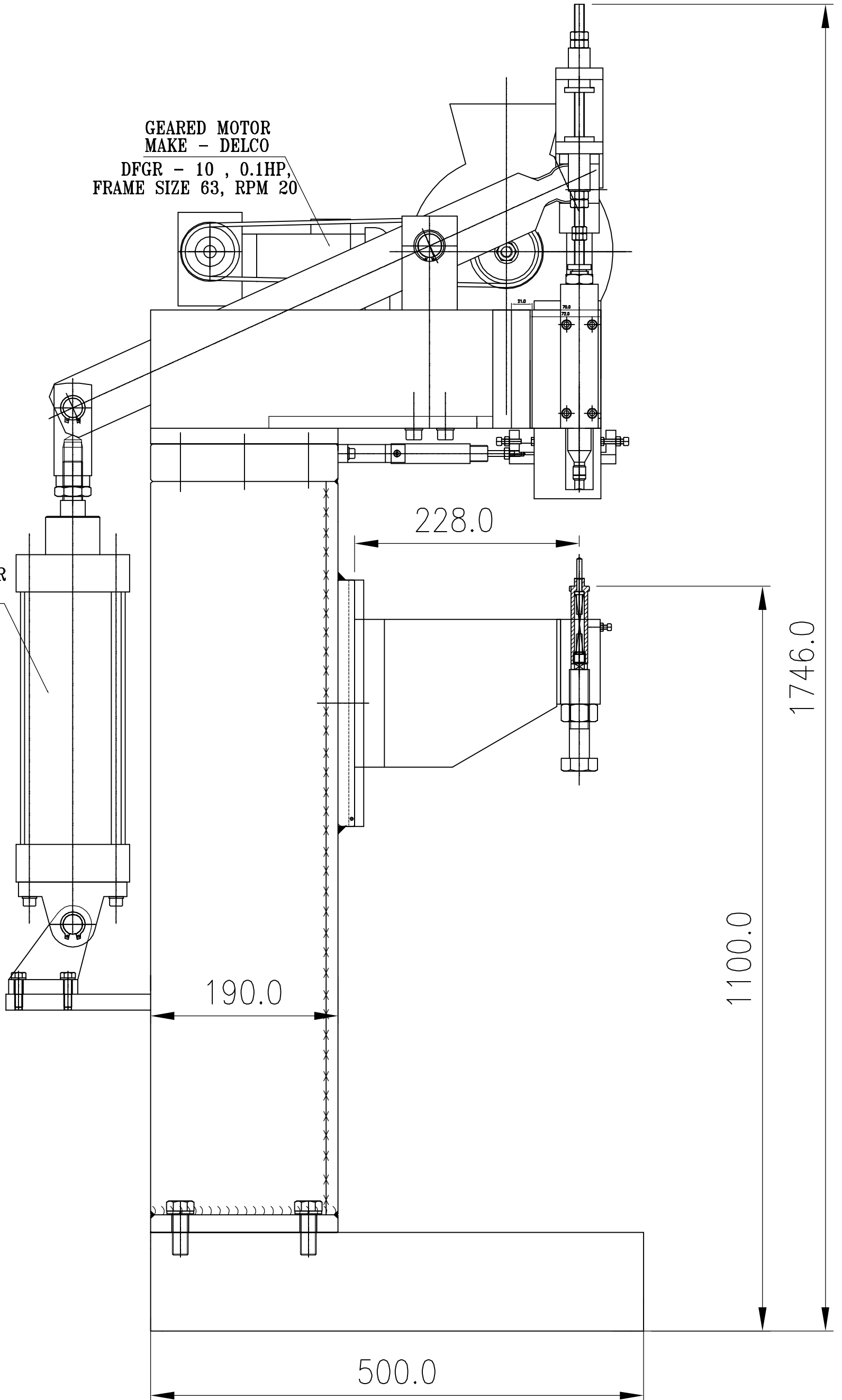
±1'30"	UPTO 10	±50'	10-50	±25'	50-120	±15'	120-400	±10'	OVER 400
--------	---------	------	-------	------	--------	------	---------	------	----------

UNSPECIFIED TOLERANCES ON ANGULAR DIMENSIONS
 FOR NOMINAL LENGTH OF SHORTER LEG OF ANGLE
 AS PER DIN 7168 (MEDIUM CLASS)

ITEM No.	QUANTITY	MATERIAL	HEAT TREATMENT	SURFACE TREATMENT

GEARED MOTOR
 MAKE - DELCO
 DFGR - 10 , 0.1HP,
 FRAME SIZE 63, RPM 20

PNEUMATIC CYLINDER
 MAKE - MERCURY
 FM - 100 - 200
 71-003-06
 71-004-06
 71-007-04



TITLE: - OVERALL ASSEMBLY

SCALE	1 : 4	SUBASLY	AR MACHINE
DATE	28.01.09	CUSTOMER	OSBPL
DGN	SMK	CAD FILE	PC46/E/AR M/C
CHD		MODEL	MODULE
APPD		AR M/C	WO No.
			SHEET No.