



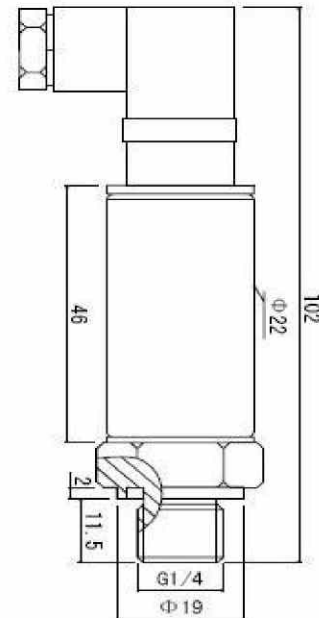
- Pressure Ranges; 0...1 Bar to 0...2000 Bar
- Stainless Steel Case
- Excellent Resistance to corrosive
- Economical Price
- Output Signals
4 - 20 mA , 0 - 10V, 0-20 mA, 0-5 V
- Small figure design any position to install

APPLICATIONS

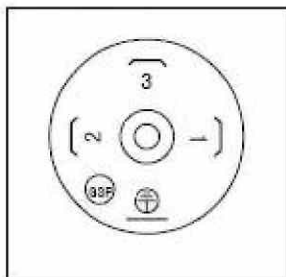
- Hydraulics
- Pneumatics
- Water Technologies
- Air Conditioning / Heating
- Testing Technology
- Process Control
- Industrial Robot

TECHNICAL SPECIFICATIONS

Pressure Range	: 0...1 BAR to 0...2000 BAR
Output Signals	: 0-5 V, 0 -10 VDC , 0-20 mA, 4 -20mA
Input Signal	: 24Vdc (10~36Vdc)
Operating Temperature	: -40 ° ~ 125 ° (104°~257°)
Over Pressure	: 1,5 x FS
Accuracy	: 0,5 %FS; 0,2 %FS (Optional)
Electrical Connection	: Hirschmann Connector
Process Connection	: G1/4
Case	: Stainless Steel
Protection Class	: IP 65



ELECTRICAL CONNECTIONS



Hirschmann Connector

Voltage or Current Output (DIN 43650) 3 cables Connections

- | | |
|----------|--|
| 1 | : + Signal Out |
| 2 | : + Supply Voltage 24VDC |
| 3 | : - Signal Out
- Supply Voltage GND |

