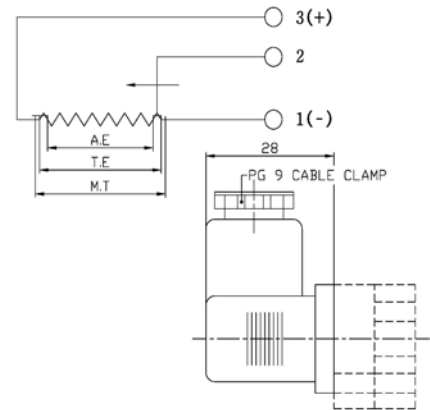


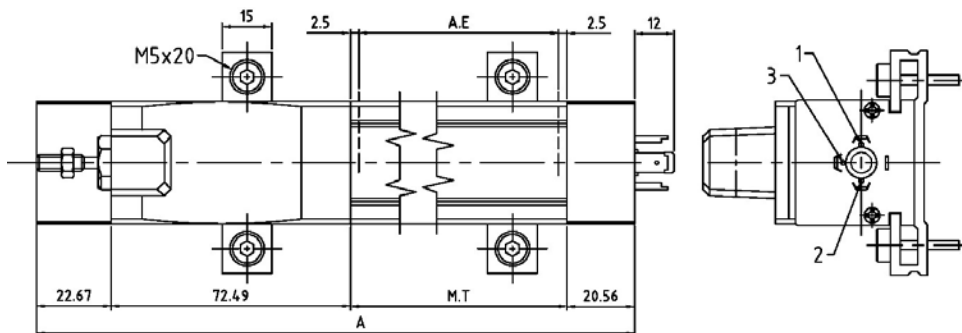


ELECTRICAL CONNECTIONS

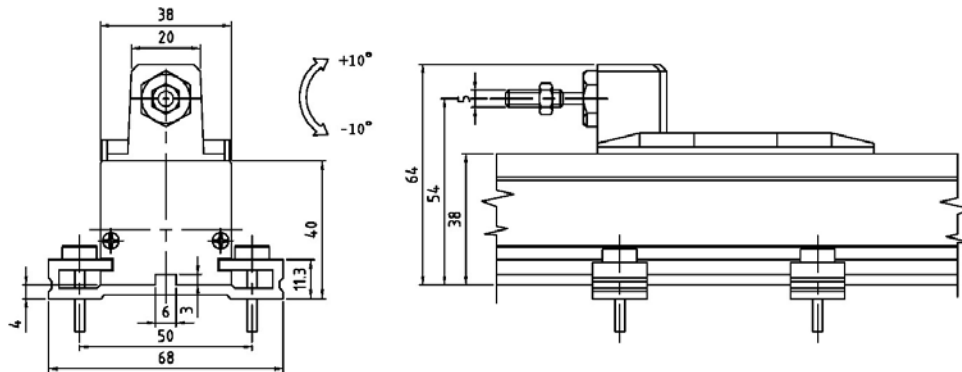


DIN 43650 (IP65-ISO4400)

DIMENSION



COUPLING JOINT



SPECIFICATION

M O D E L		100	150	175	200	225	250	300	350	375	400	450	500	525	600	650	700	750	800	850	900	1000
Total Electrical Travel (T.E)	mm	102	150	180	205	229	255	305	355	381	405	457	505	533	610	655	705	762	805	855	914	1016
Active Electrical Travel (A.E)	mm	100	150	177	203	226	253	302	353	378	403	455	503	531	607	653	703	759	803	853	912	1013
Resistance +/-20%	KΩ	3.4	5.0	5.8	6.8	2.4	2.6	3.2	3.7	4.0	4.3	4.8	5.3	5.6	6.4	6.9	7.5	8.0	8.5	9.1	9.6	10.7
Independent Linearity	±%	0.07	0.07	0.07	0.07	0.07	0.07	0.07	0.07	0.07	0.07	0.05	0.05	0.05	0.05	0.05	0.05	0.05	0.05	0.05	0.05	0.05
Mechanical Travel (M.T)	mm	104	155	181	207	231	258	384	358	384	409	460	508	536	612	658	709	765	809	859	917	1019
Resolution		infinite																				
Recommended-Cursor Current	μA	< 1																				
Temperature Range	°C	-55 ~ +125																				
Dimensions A	mm	245	296	321	347	372	398	448	499	525	550	601	652	677	753	804	855	906	965	1007	1058	1160

ORDERING INFORMATION

KTF

—

100 / 150 / 175 / 200 / 225 / 250 / 300 / 350 / 375 / 400 / 450 / 500 / 525 / 600 / 650 / 700 / 750 / 800 / 850 / 900 / 1000